


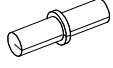
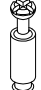

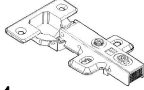

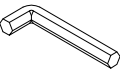
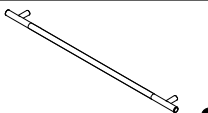
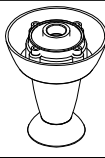
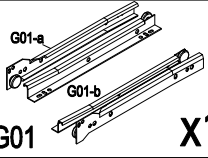
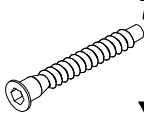
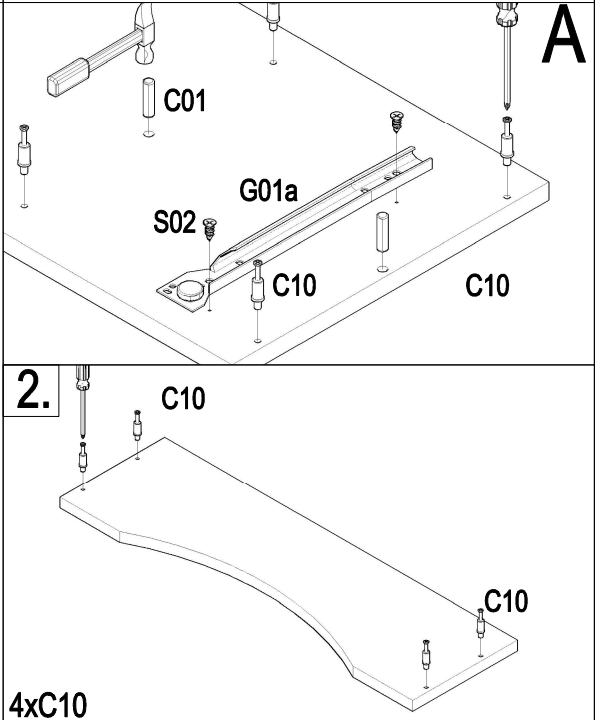
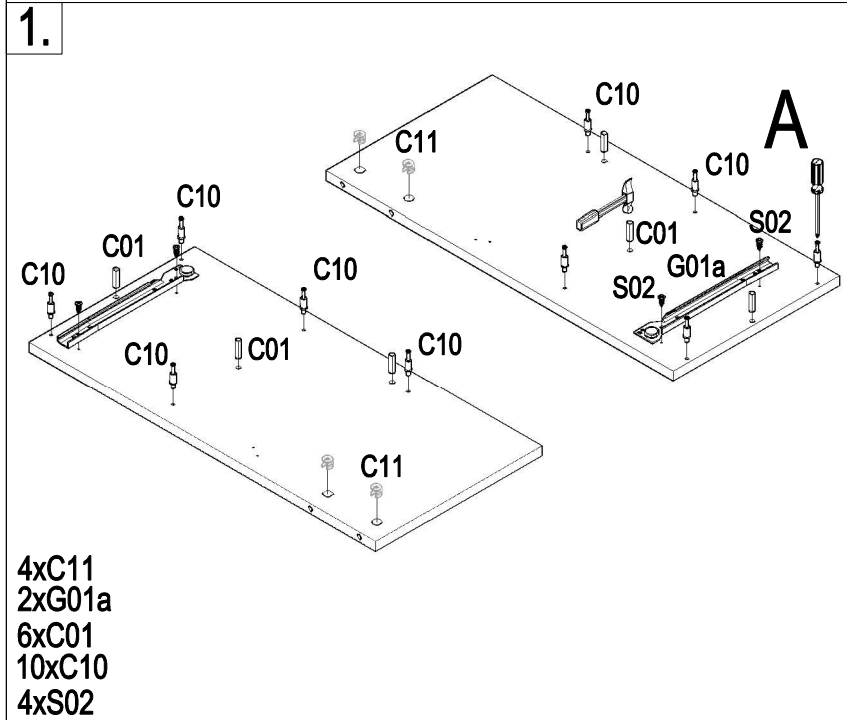
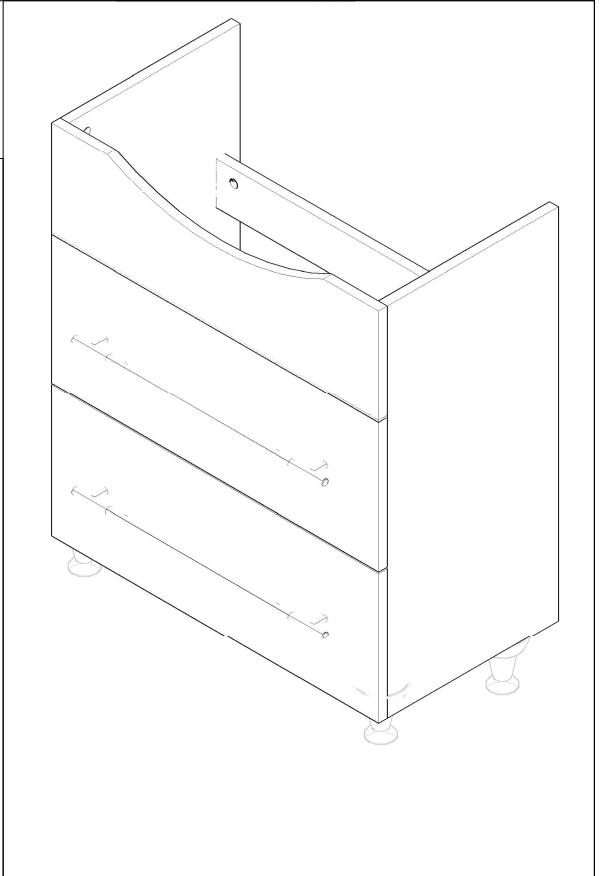
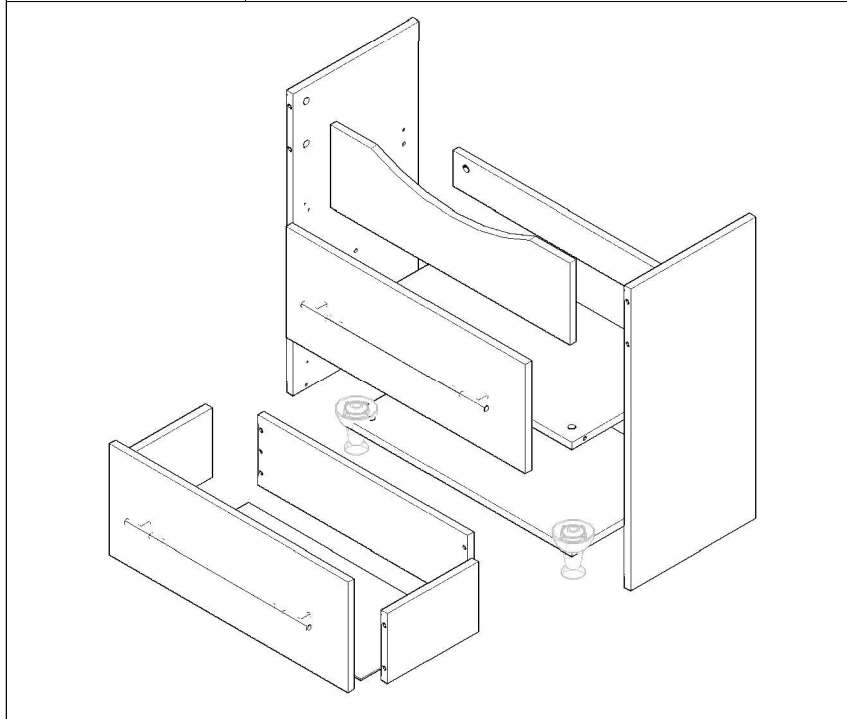
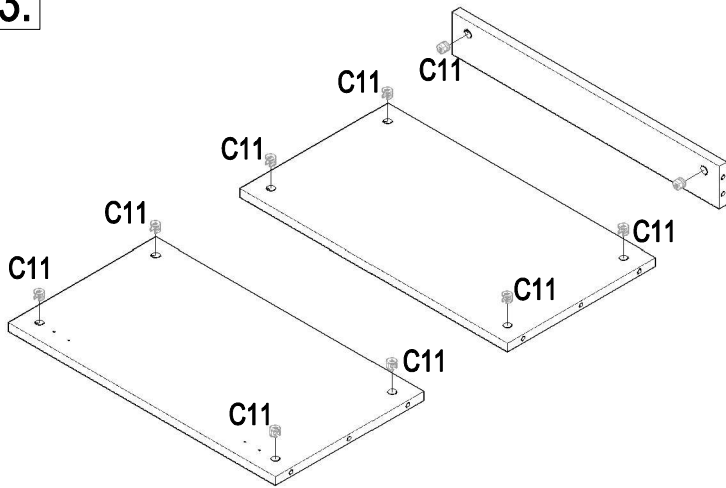


NR. 17

 <p>3.5x16 S02 x39</p>	 <p>M4x22 S11 x4</p>	 <p>C01 x10</p>	 <p>S21 x2</p>	 <p>C10 x18</p>	 <p>C11 x18</p>
 <p>B01 x2</p>	 <p>B02 x1</p>	 <p>D01 x1</p>	 <p>M02 x2</p>	 <p>P02 x4</p>	 <p>G01-a G01-b G01 x1</p>
 <p>7x50 S01 x2</p>					

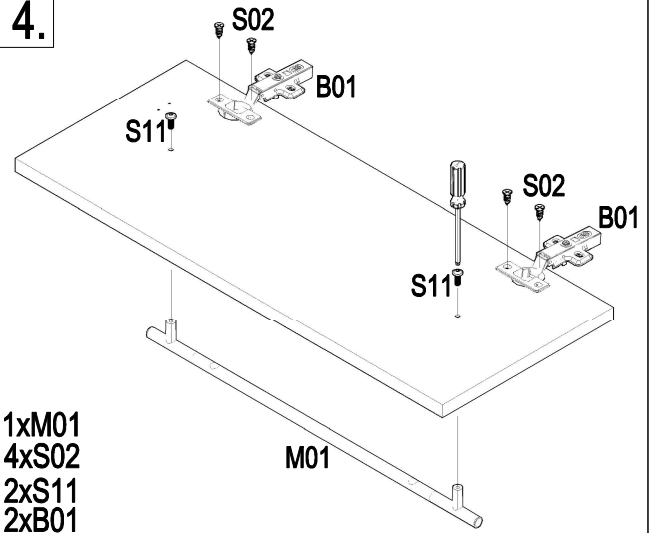


3.



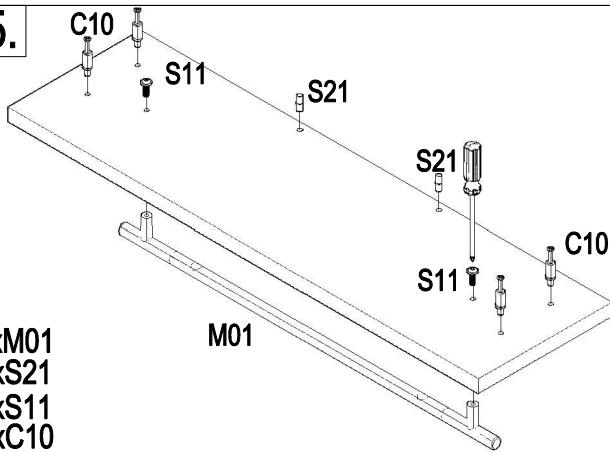
10xC11

4.



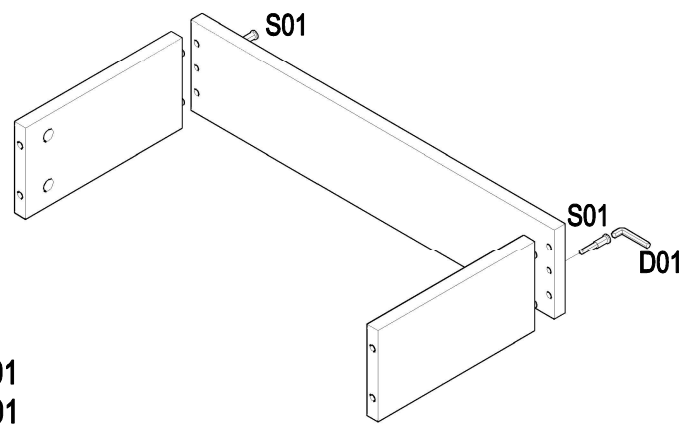
1xM01
4xS02
2xS11
2xB01

5.



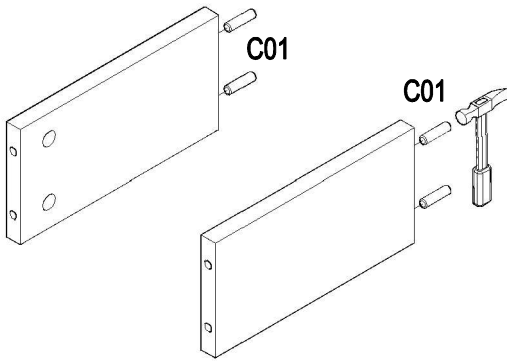
1xM01
2xS21
2xS11
4xC10

7.



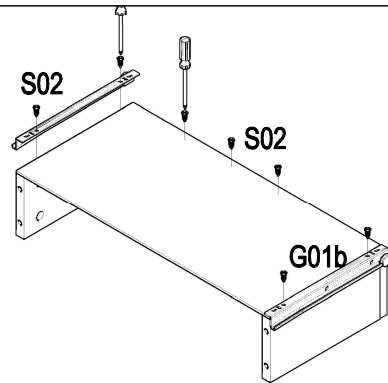
1xD01
2xS01

6.



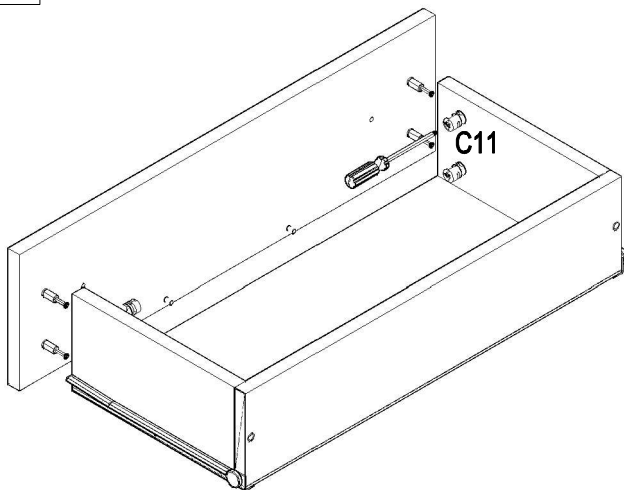
4xC01

8.



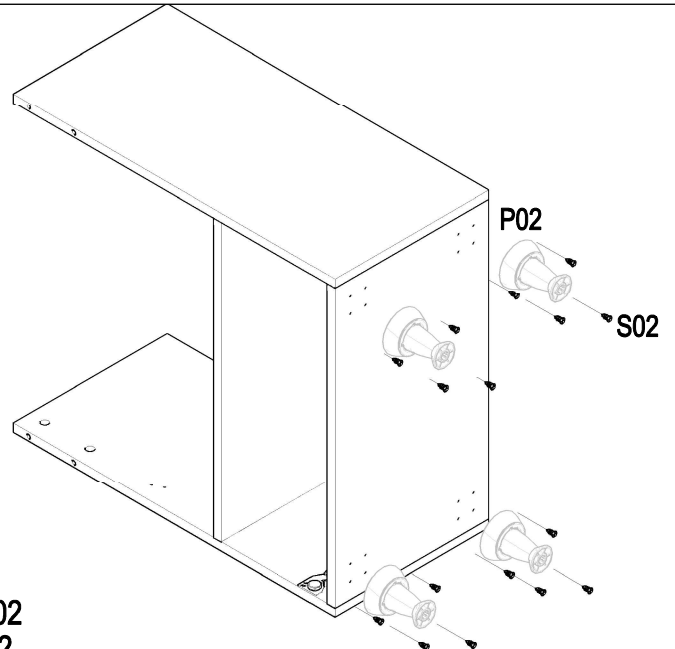
2xG01b
7xS02

9.



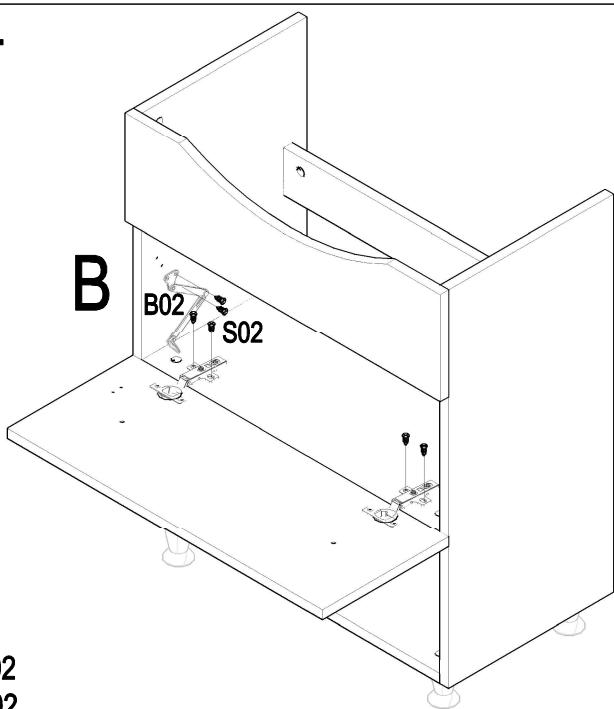
4xC11

10.



16xS02
4xP02

11.

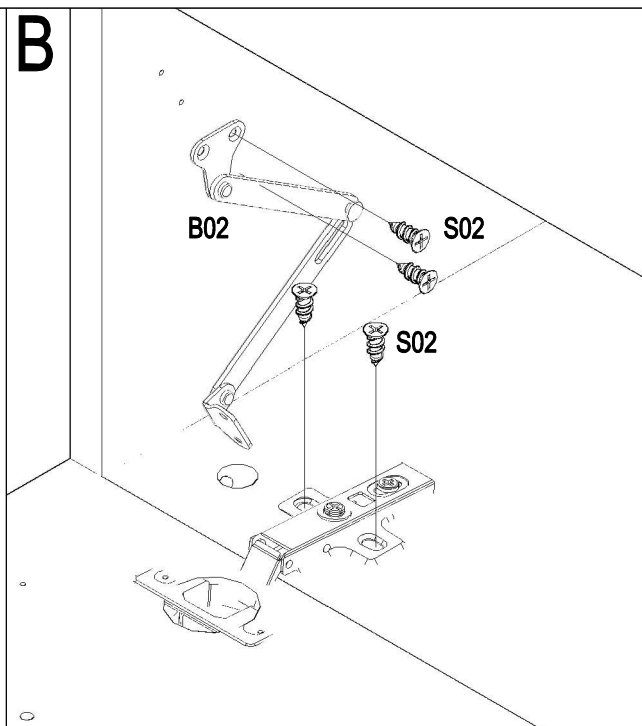


B

B02
S02

1xB02
8xS02

B



B02

S02

S02